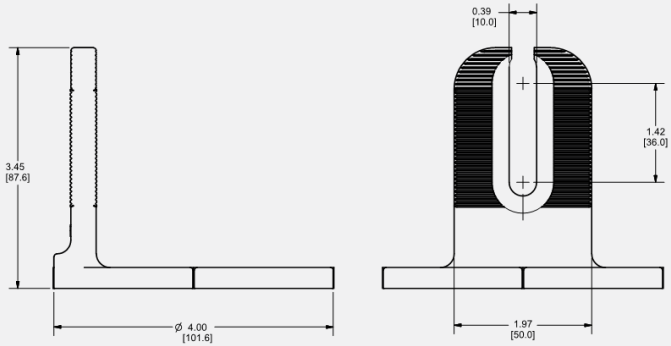


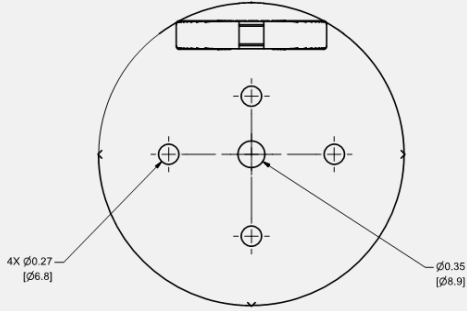
NanoMount



NanoMount



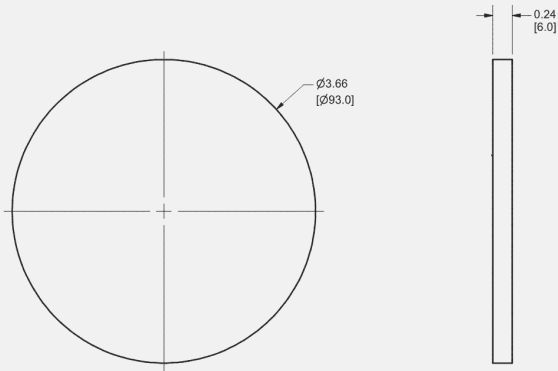
Material: Aluminum
Finish: Black Powder Coating



Part Number	Description
K50058-BK1	NanoMount <ul style="list-style-type: none"> NanoMount USWR Gasket

See Published data for allowable loads. Care should be taken to avoid concentrated loads during installation.

NanoMount Gasket



Material: USWR Gasket with Adhesive

NanoMount Lag Bolt



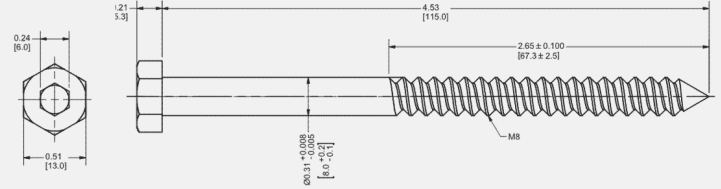
NanoMount Decking Screw



Part Number	Description
K50049-BK1	Lag Bolt Assembly <ul style="list-style-type: none"> Hex Lag Bolt M8X115, DIN 571, 304S Sealing Washer .33 ID X .75 X .157
K50055-BK1	Decking Screw Assembly <ul style="list-style-type: none"> Self-Tapping Screw, #14 X 3.00 Sealing Washer .26ID X .50X .125

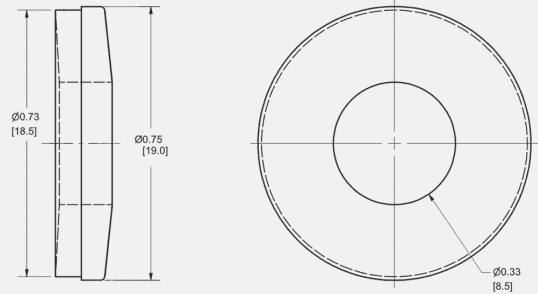
Lag Bolt Assembly

1. Hex Lag Bolt M8X115, DIN 571, 304



Material: Stainless Steel
Finish: Clear

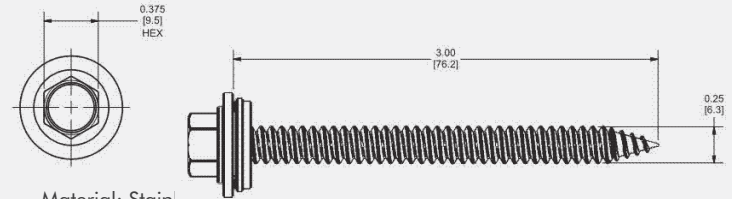
2 Sealing Washer .33ID X.75X.157



Material: EPDM + Stainless Steel

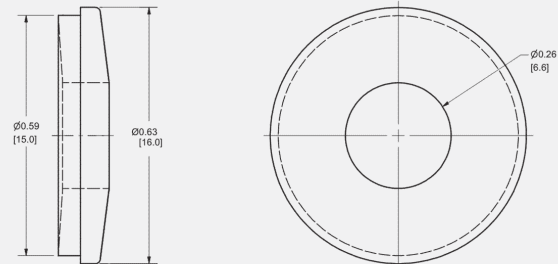
Decking Screw Assembly

1. Self-Tapping Screw, #14 X 3.00



Material: Stain
Finish: Clear

2. Sealing Washer .26ID X .50X .125



Material: EPDM + Stainless Steel